

Cartridge filter

AFM

1. Introduction

The Filtration Group housings type AFM are industrial cartridge filter mm housings in stainless steel.

Four different sizes are available to suit various flow rates. The AFM cartridge housings are an economical solution for all industrial nonhazardous liquid applications.



2. Features

- Cover closing with hinged eye bolts and eye nuts (galvanised steel)
- Flat cover with handle
- O-ring sealing: standard Buna-N. Other materials on request
- Compact design
- Pickled and passivated
- Suitable for 6 filter cartridges of 10", 20", 30" or 40" length
- Available from stock

3. Standard specifications

Design pressure : 10 bar(g)
Design temperature : 0 / 90 °C
Operating temperature depending on the filter media and gaskets
: used
PED 2014/68/EU : article 4 paragraph 3

Maximum differential pressure

design : 2.5 bar
operating : depending on type of filter cartridge

The internal construction is designed to suit:

- Double Open End X0, X4 and X9
- Single Open End X3

For use of DOE cartridges, tube guides and compression springs are supplied for quick and trouble free installation. For filter cartridges with X3 end cap configuration a compression plate is recommended



4. Models

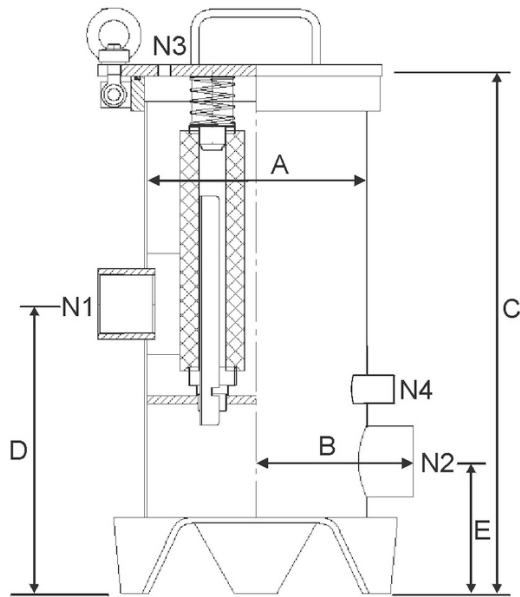
Filtration Group can supply four standard sizes in stainless steel from stock. These are available with flanged connections.

Other standard filter housings

Filtration Group also supplies other standard filter mm housings suitable for all industrial liquid and gas applications for mm various flowrates.

For more information please contact your representative.

6. Dimensions



5. Filter cartridges

Filtration Group supplies a wide range of filter cartridges in different materials, pore sizes, dimensions and models to fit in our housings as well as those of other manufacturers.

For detailed information about filter cartridges, please contact your representative.

7. Nozzle specification

N1 :	Inlet
N2 :	Outlet
N3 :	Vent (Rp $\frac{1}{4}$ - ISO7-1)
N4 :	Dirt drain (Rp $\frac{1}{2}$ - ISO7-1)

8. Dimensions

Model	Diameter [mm] A	Standout [mm] B	Height [mm] C	Nozze height [mm] D	Nozze height [mm] E	Volume [dm ³]	Weight [kg]
AFM6	219	156	505	280	130	17	20
AFM12	219	156	765	280	130	26	23
AFM18	219	156	1020	280	130	36	26
AFM24	219	156	1295	280	130	45	29

Height required for changing cartridges is height C plus cartridge length. Dimensions are for reference only. Use dimensional drawing for installation purposes.

Subject to technical alteration without prior notice.

Ordering code

Example

AFM12	2	T	2
Type	Cartridge length	Material	Inlet/outlet
AFM6	1 = 10"	T = 316Ti (1.4571)	2 = RP2 - ISO7-1
AFM12	2 = 20"		2B = Ø52.1x1.5 acc. DIN11850 (Only available for type AFM 24)
AFM18	3 = 30"		
AFM24	4 = 40"		